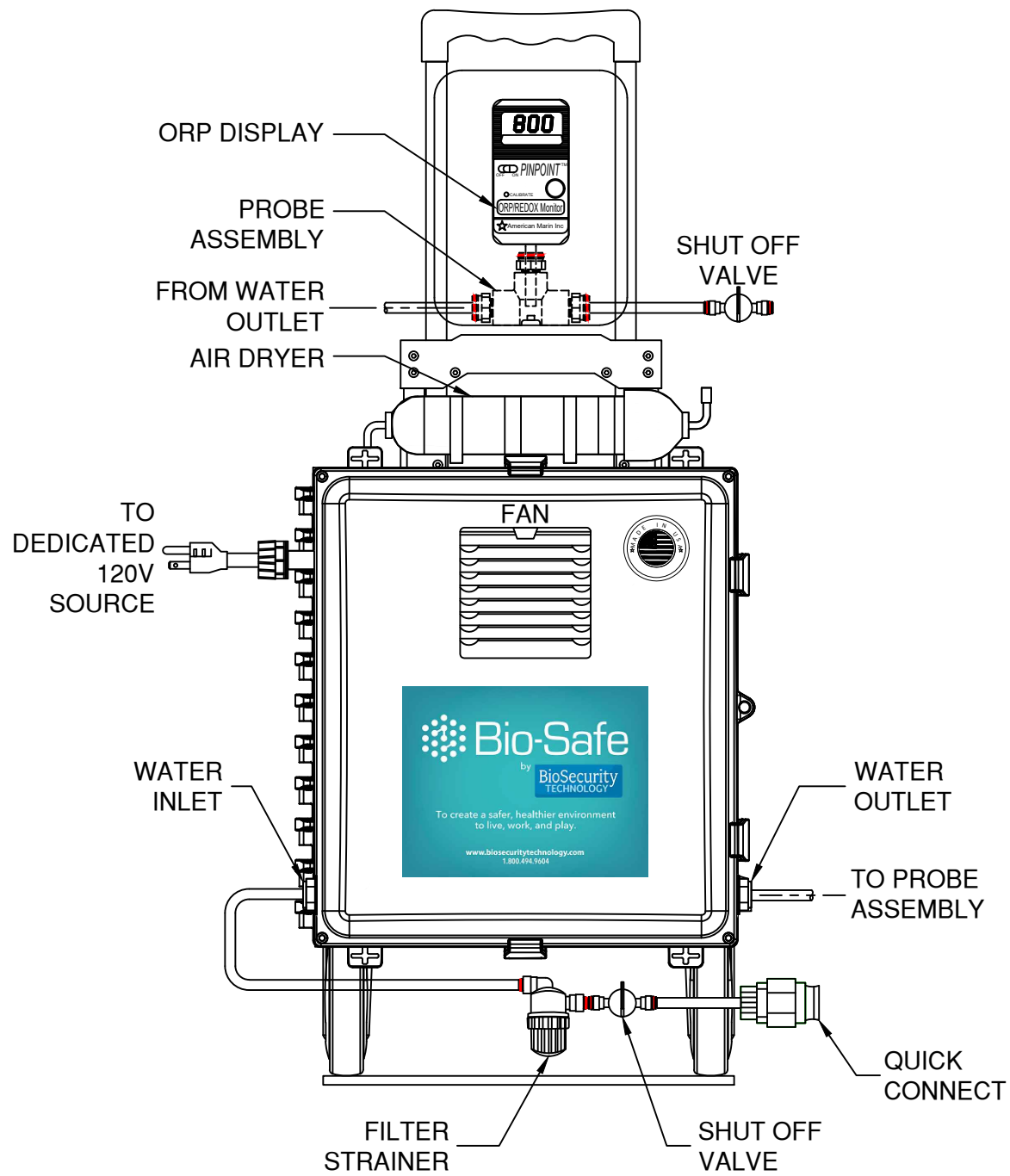


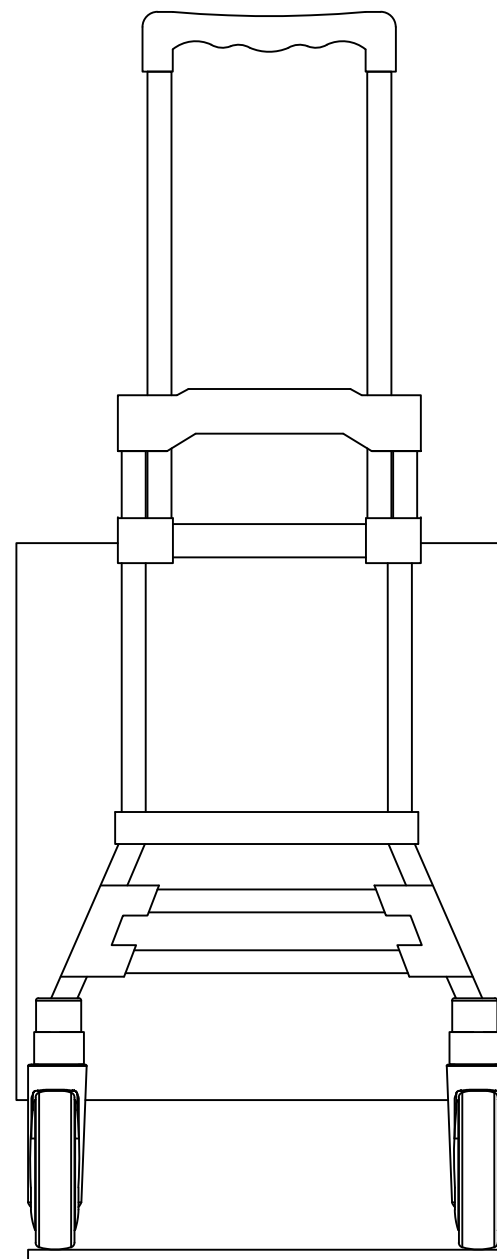


# 2 WHEEL CART 1.5 GPM

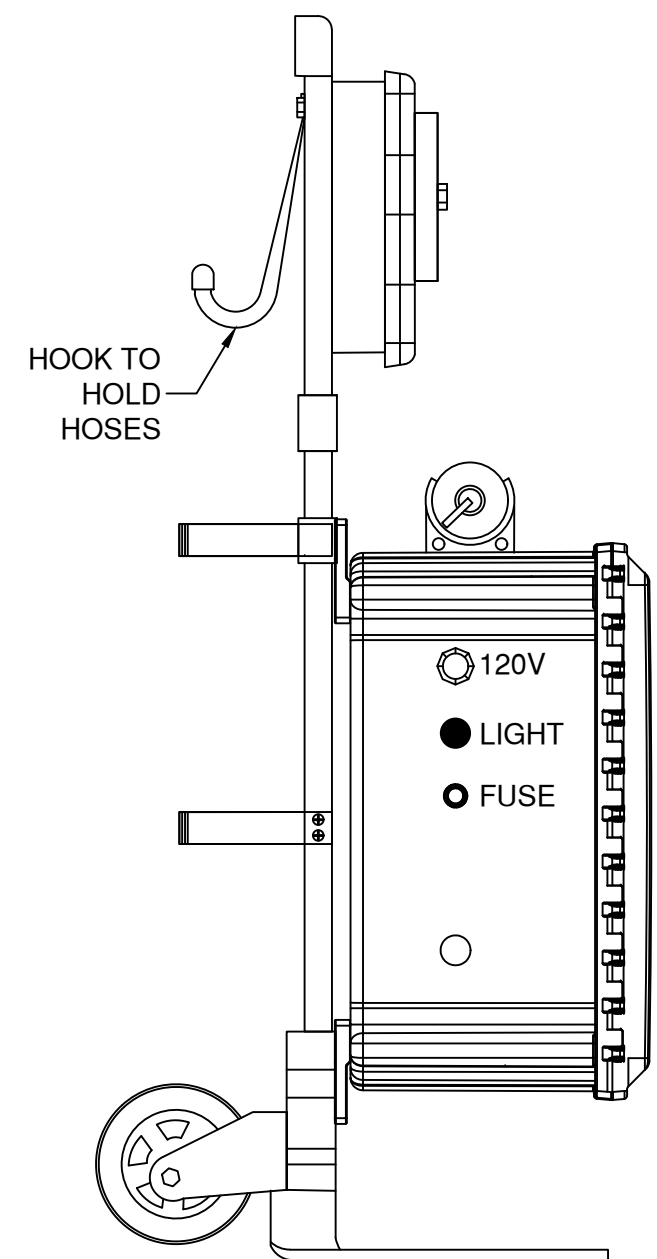
DRAWING INDEX		
DRAWING #	DRAWING DESCRIPTION	REVISION
2WHE1-01	COVER PAGE	1
2WHE1-02	INSTALLATION	1
2WHE1-03	DIMENSIONS	1



FRONT VIEW



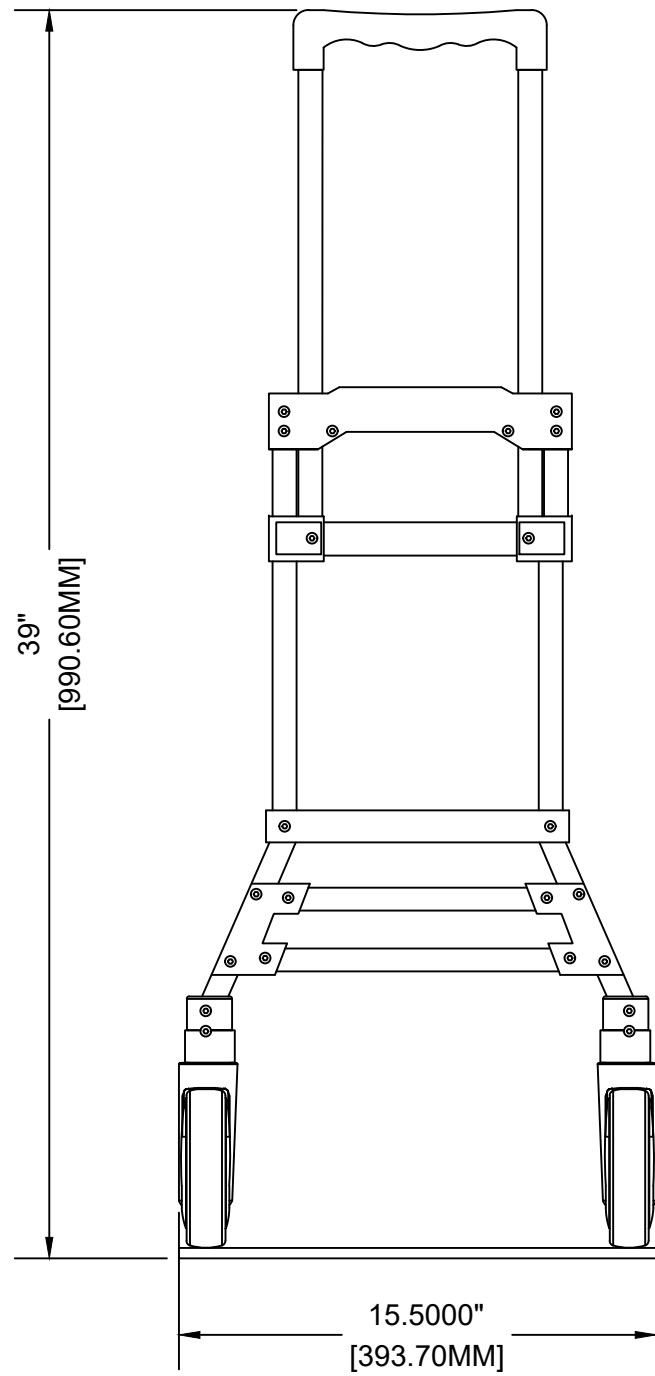
REAR VIEW



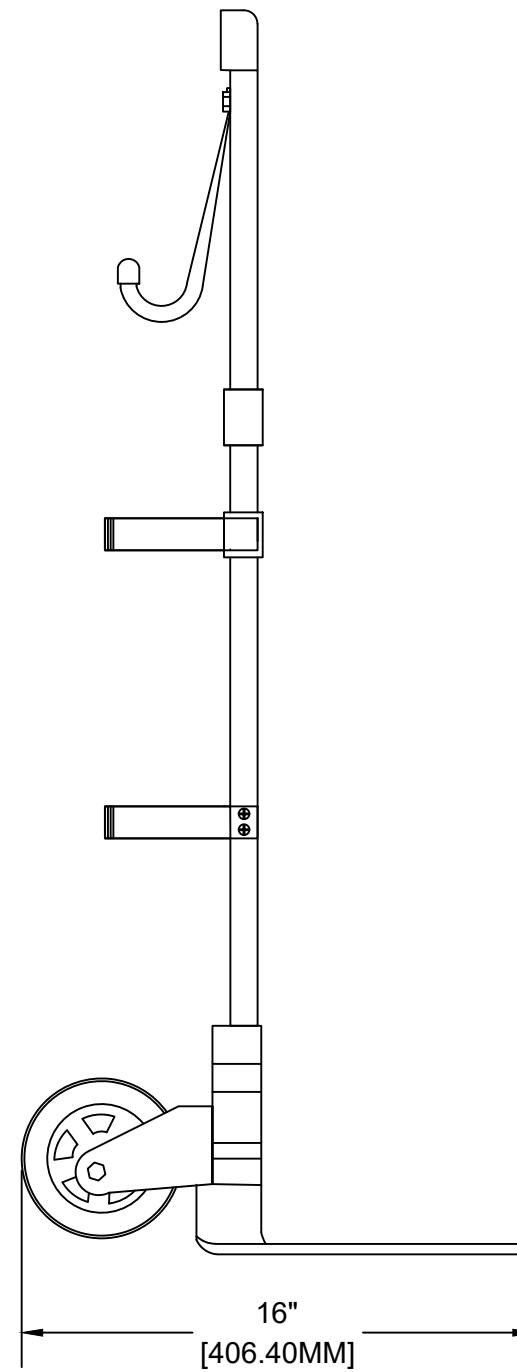
LEFT VIEW

**BIO-SAFE INSTALLATION**

1. PLUG POWER CORD FROM BIO-SAFE UNIT INTO 120V POWER SUPPLY.
2. MUST BE DEDICATED 120V POWER OUTLET.
3. TURN ON ORP DISPLAY.



FRONT VIEW



RIGHT VIEW