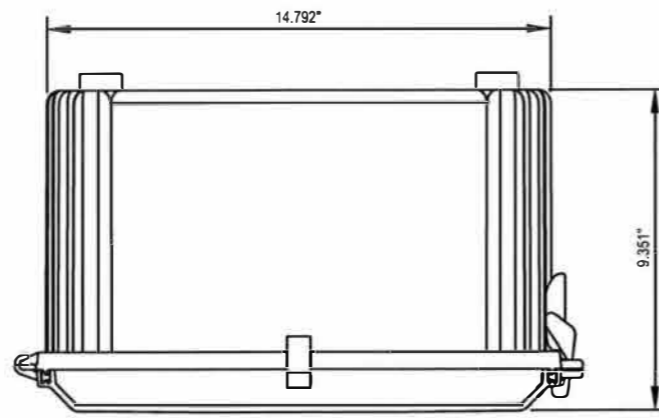
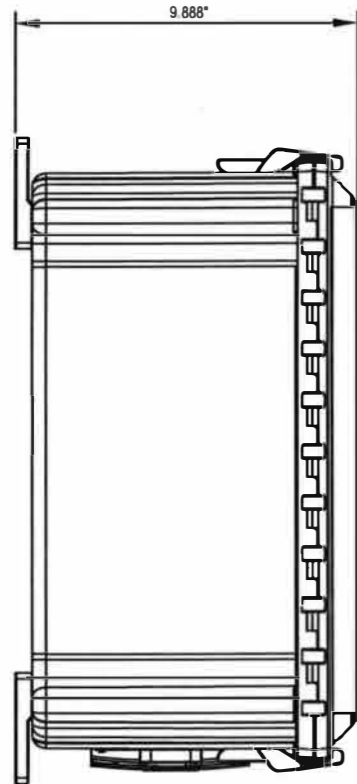




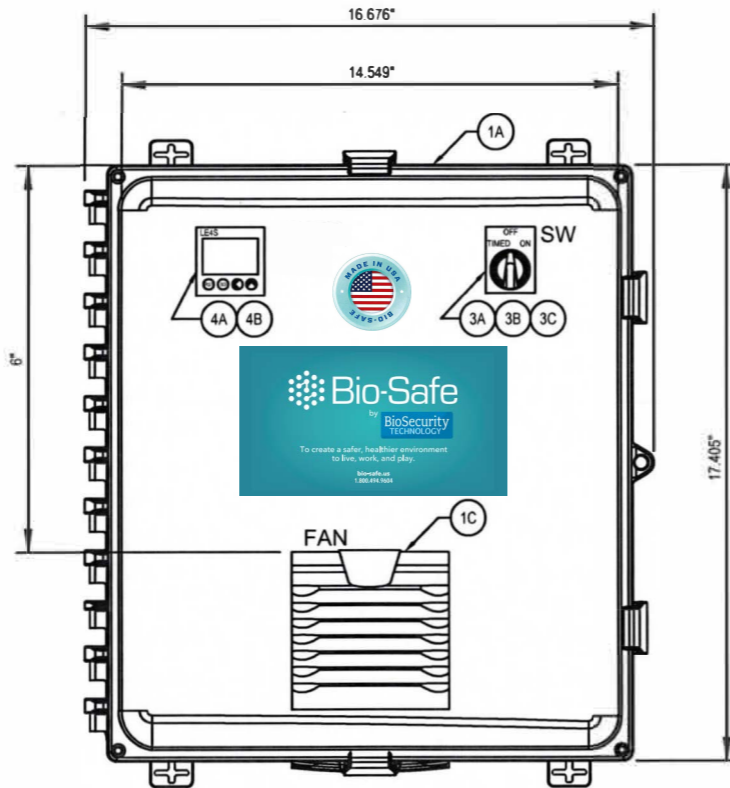
BIOSECURITY TECHNOLOGY LLC



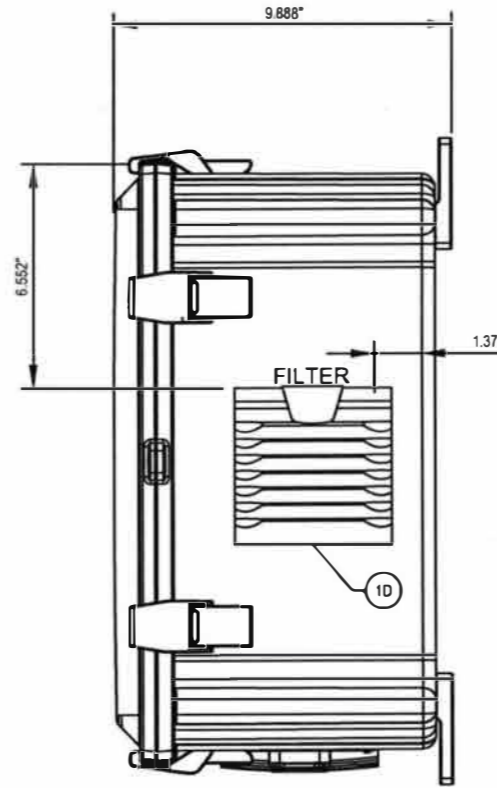
TOP VIEW



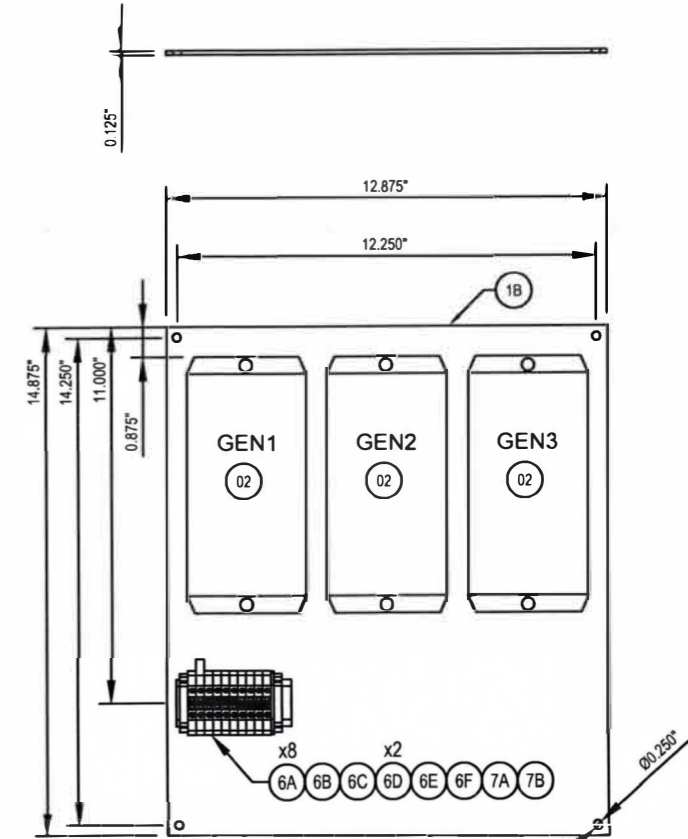
LEFT VIEW



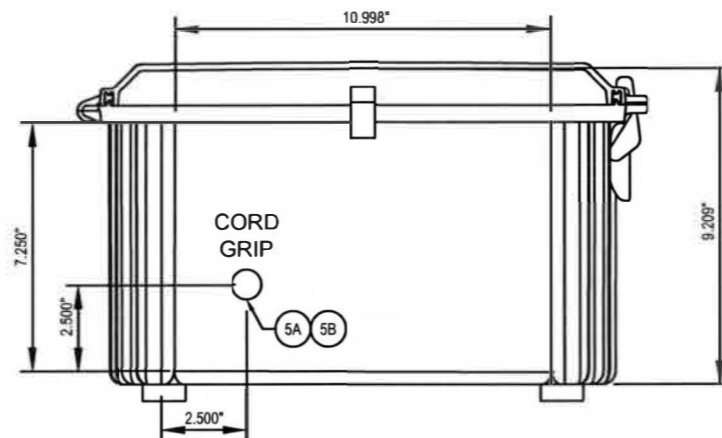
FRONT VIEW



RIGHT VIEW



BACK PANEL



BOTTOM VIEW

BIO-SAFE SMALL GAS UNIT INSTALLATION

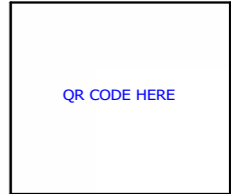
1. MOUNT UNIT TO A FLAT SURFA
2. PLUG POWER CORD FROM BIO-SAFE GAS UNIT INTO DEDICATED 120V POWER SUPP

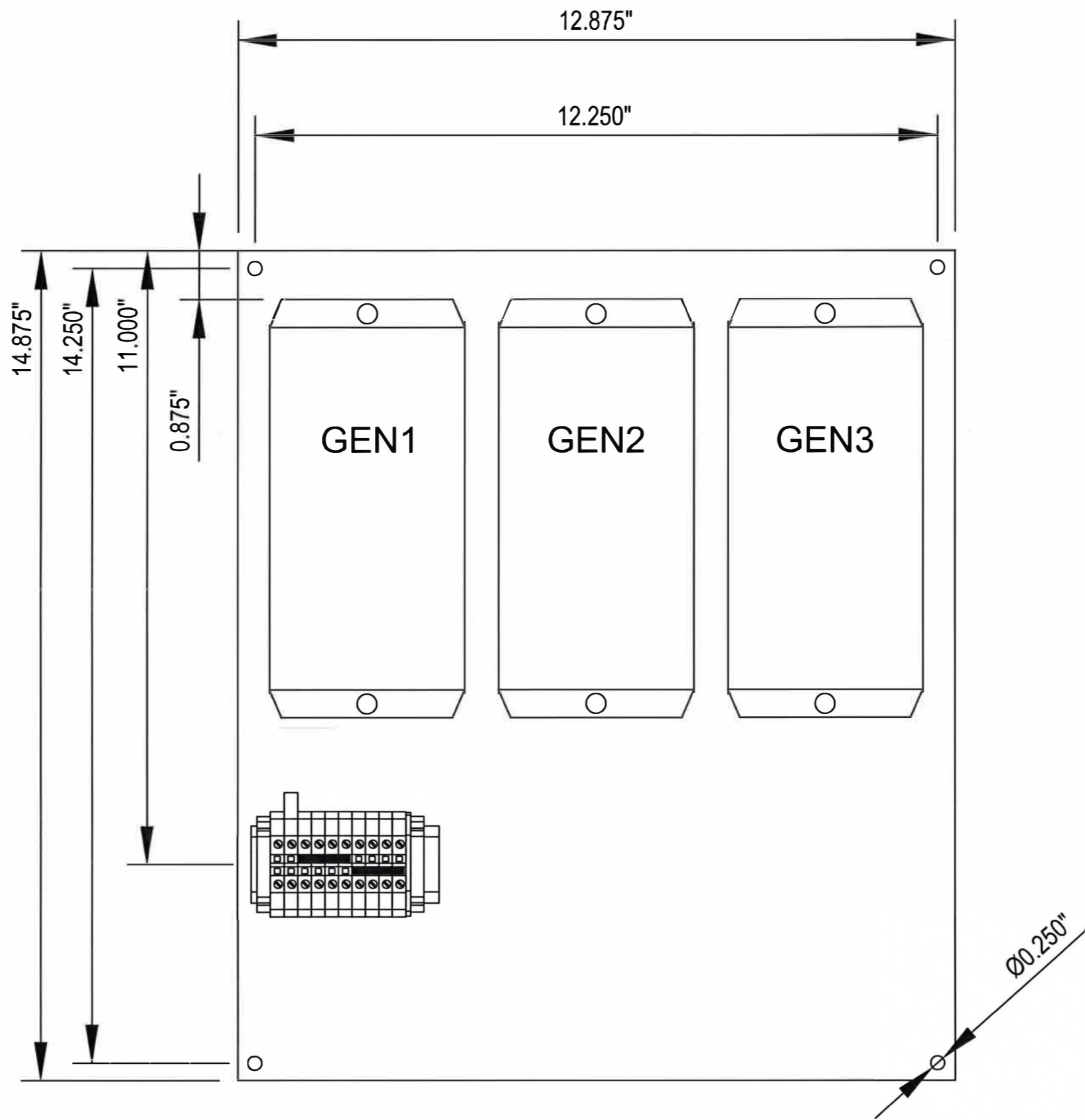
FUNCTIONAL INSTRUCTIONS

1. SET SELECTOR SWITCH TO THE DESIRED MO
 - OFF - UNIT WILL BE POWERED OFF
 - TIMED - UNIT WILL REPEATEDLY CYCLE ON AND OFF ACCORDING TO TIMER SETTINGS. DEFAULT SETTINGS ARE 50 MINS ON AND 10 MINS OFF. NOTE: TIMER CAN BE REPROGRAMMED, SEE QR CODE FOR AN INSTRUCTIONAL VIDEO.
 - ON - UNIT WILL CONTINUALLY RUN

TROUBLESHOOTING

- NOTE: UNIT SHOULD BE CHECKED BY A LICENSED ELECTRICIAN
1. ISOLATE POWER FROM UNIT BY UNPLUGGING FROM 120V SOUR
 2. USING A MULTI-METER ON OHMS SETTING, TOUCH PROBES TO TERMINA AS INDICATED IN FIGURE 2
 3. IF MULTI-METER READS "OL", THE FUSE MUST BE REPLACED (P/N: MDL-3-
 4. IF FUSE IS FOUND TO BE OPEN AND REPLACEMENT DOES NOT RETURN UNIT NORMAL OPERATION, PLEASE CONSULT THE FACTORY





BACK PANEL