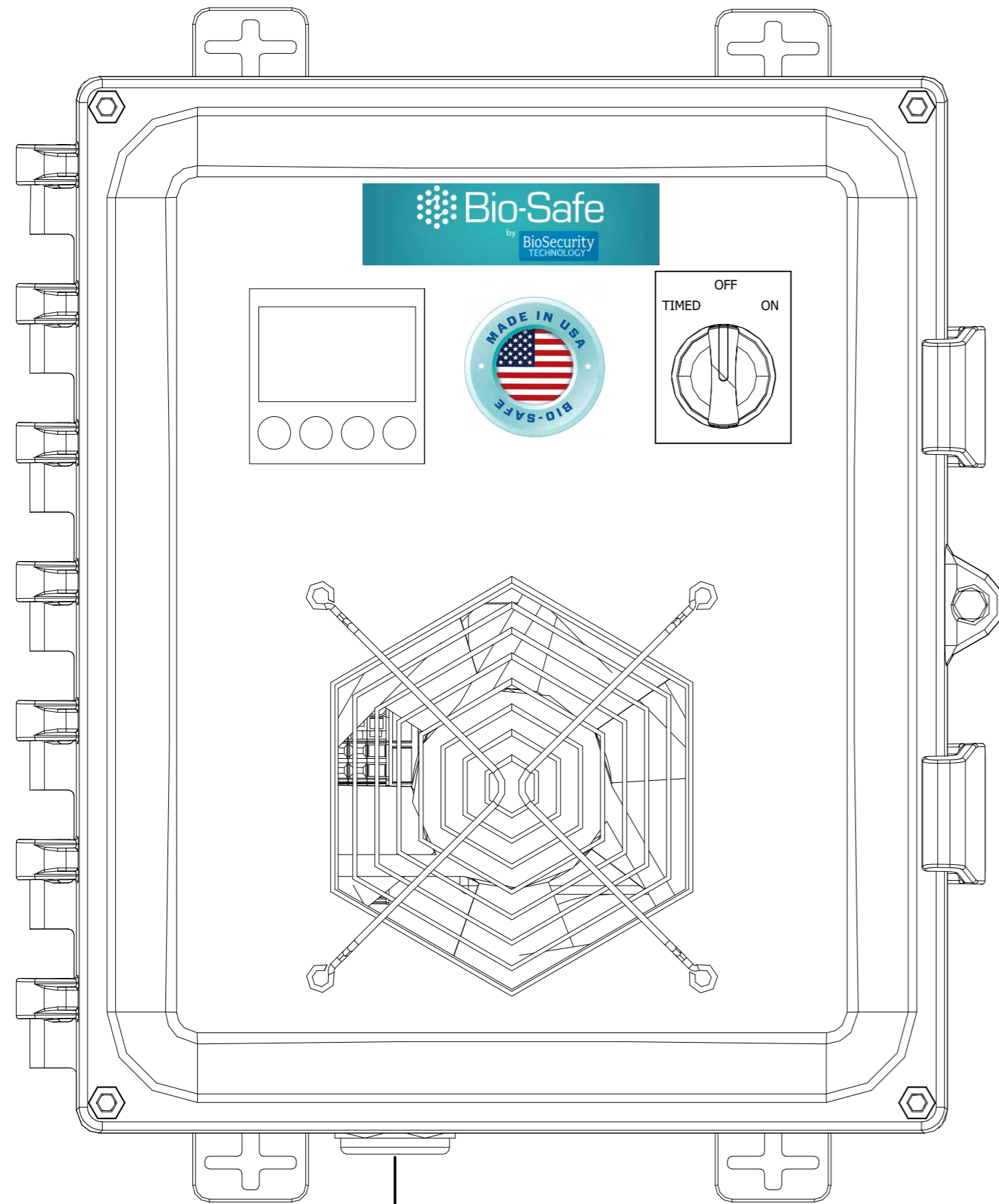




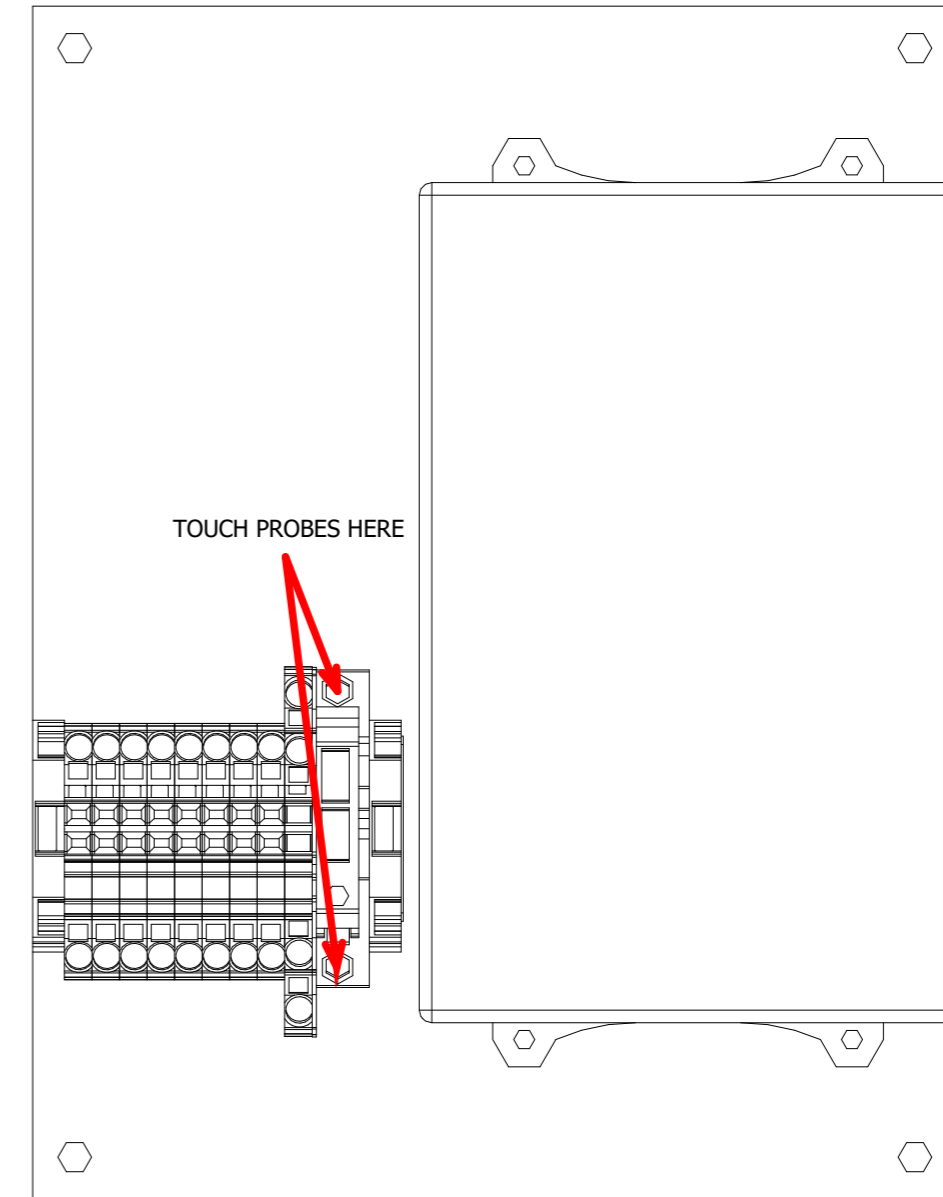
BIOSECURITY TECHNOLOGY LLC

FIGURE 1



TO DEDICATED
120V SOURCE

FIGURE 2



TOUCH PROBES HERE

BIO-SAFE SMALL GAS UNIT INSTALLATION

1. MOUNT UNIT TO A FLAT SURFACE
2. PLUG POWER CORD FROM BIO-SAFE GAS UNIT INTO DEDICATED 120V POWER SUPPLY

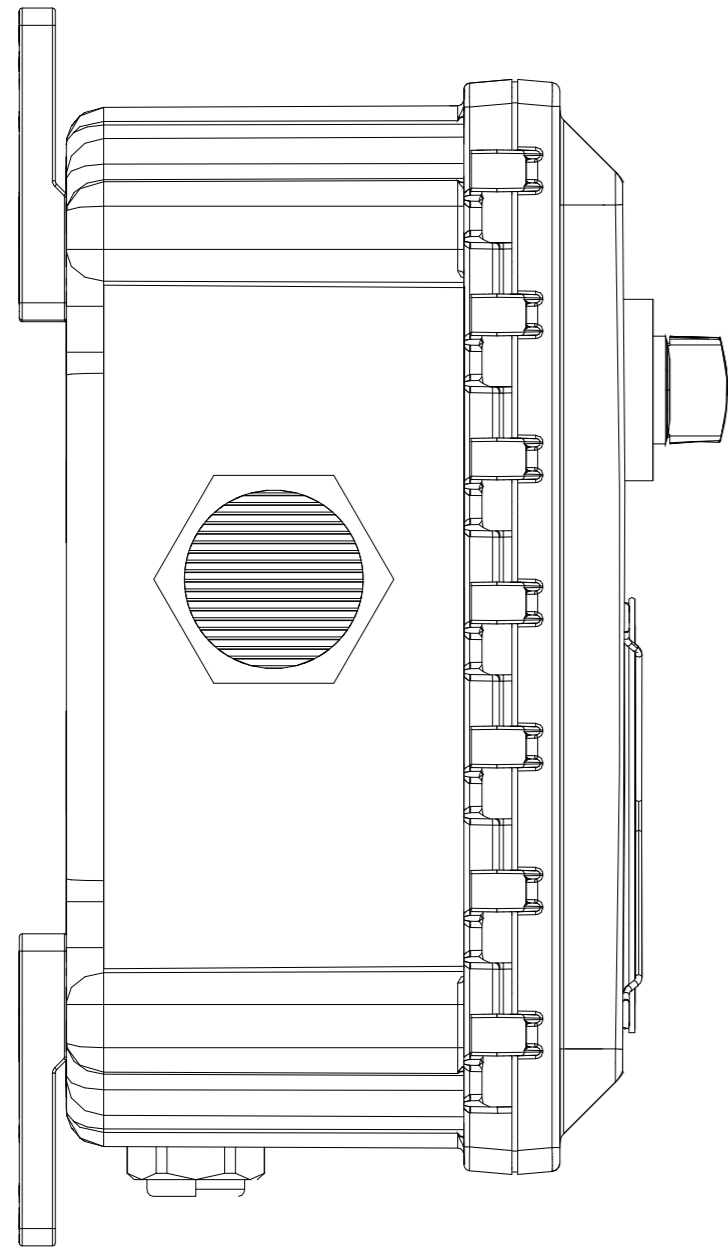
FUNCTIONAL INSTRUCTIONS

1. SET SELECTOR SWITCH TO THE DESIRED MODE
OFF - UNIT WILL BE POWERED OFF
TIMED - UNIT WILL REPEATEDLY CYCLE ON AND OFF ACCORDING TO TIMER SETTINGS. DEFAULT SETTINGS ARE 50 MINS ON AND 10 MINS OFF. NOTE: TIMER CAN BE REPROGRAMMED, SEE QR CODE FOR AN INSTRUCTIONAL VIDEO.
ON - UNIT WILL CONTINUALLY RUN

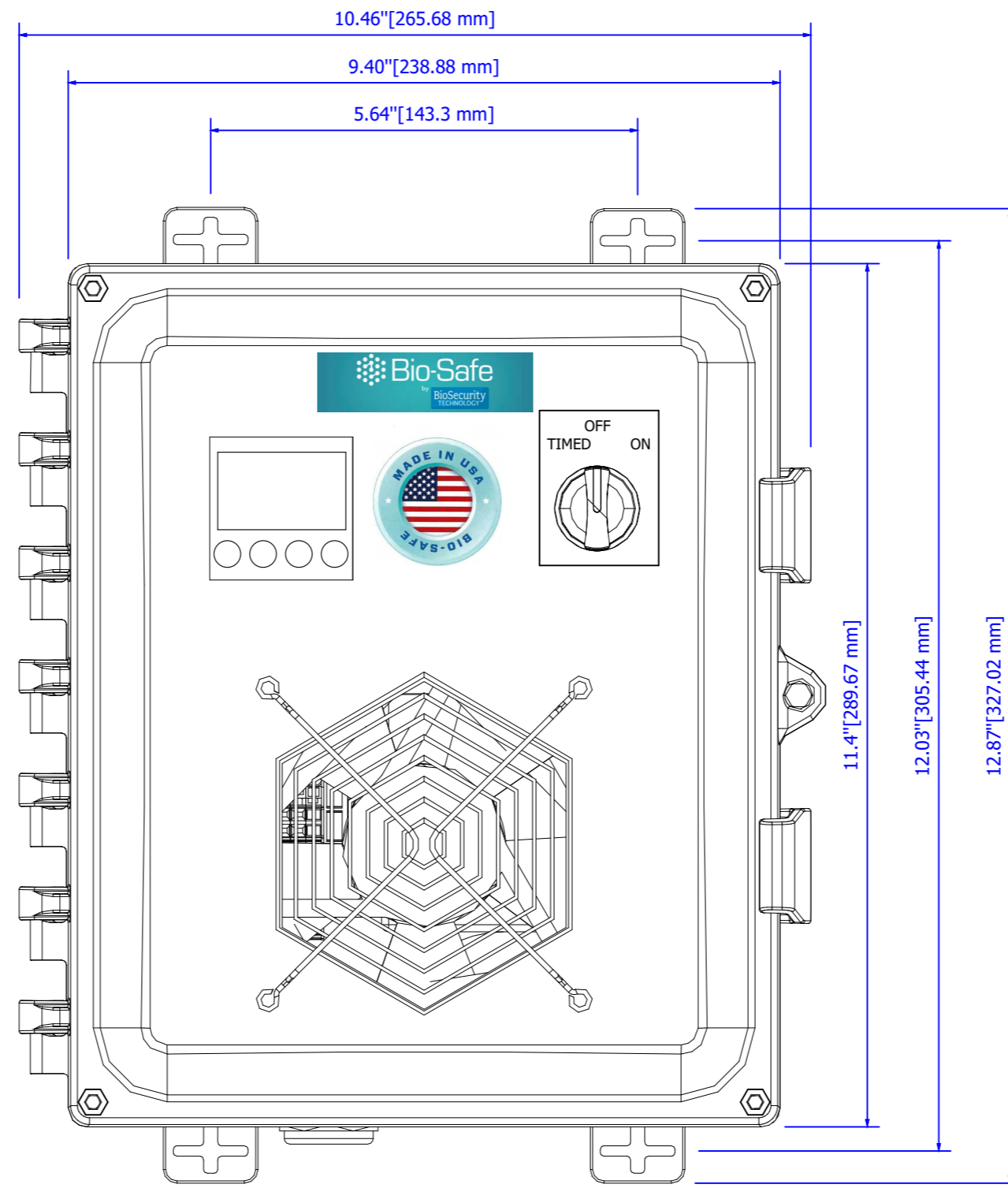
TROUBLESHOOTING

- NOTE: UNIT SHOULD BE CHECKED BY A LICENSED ELECTRICIAN
1. ISOLATE POWER FROM UNIT BY UNPLUGGING FROM 120V SOURCE
 2. USING A MULTI-METER ON OHMS SETTING, TOUCH PROBES TO TERMINALS AS INDICATED IN FIGURE 2
 3. IF MULTI-METER READS "OL", THE FUSE MUST BE REPLACED (P/N: MDL-3-R)
 4. IF FUSE IS FOUND TO BE OPEN AND REPLACEMENT DOES NOT RETURN UNIT TO NORMAL OPERATION, PLEASE CONSULT THE FACTORY

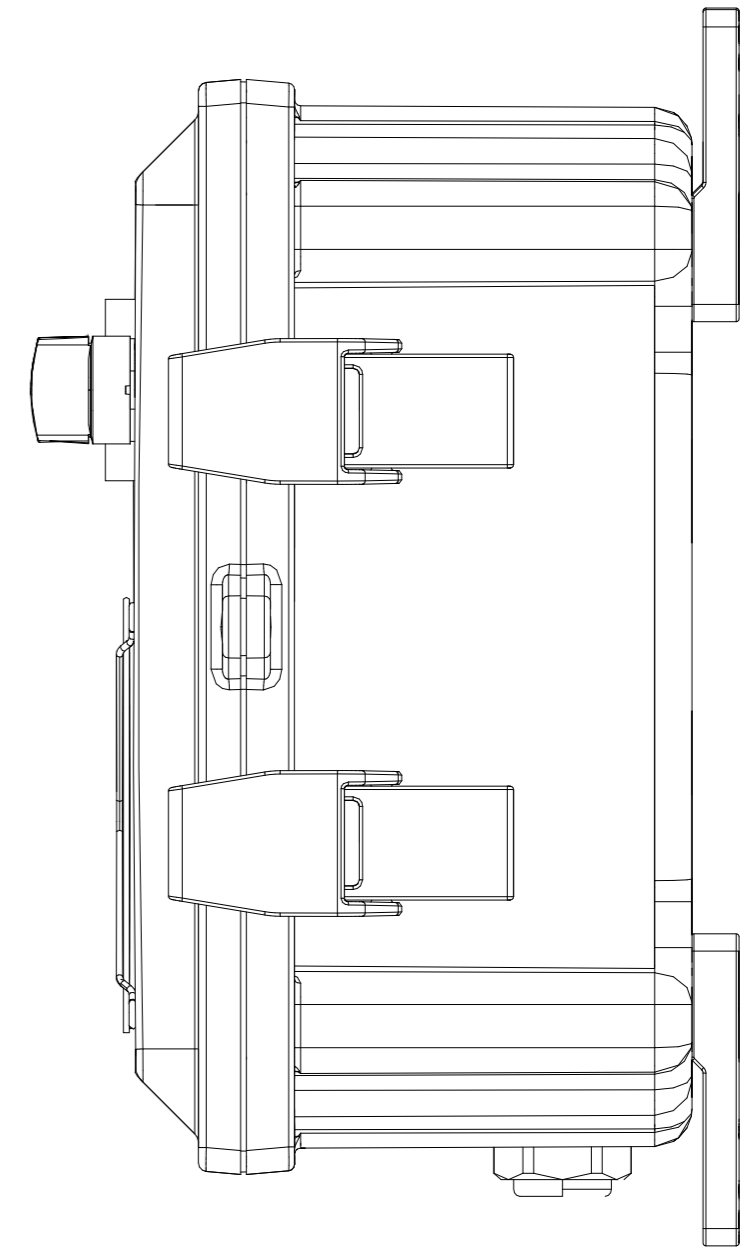
QR CODE HERE



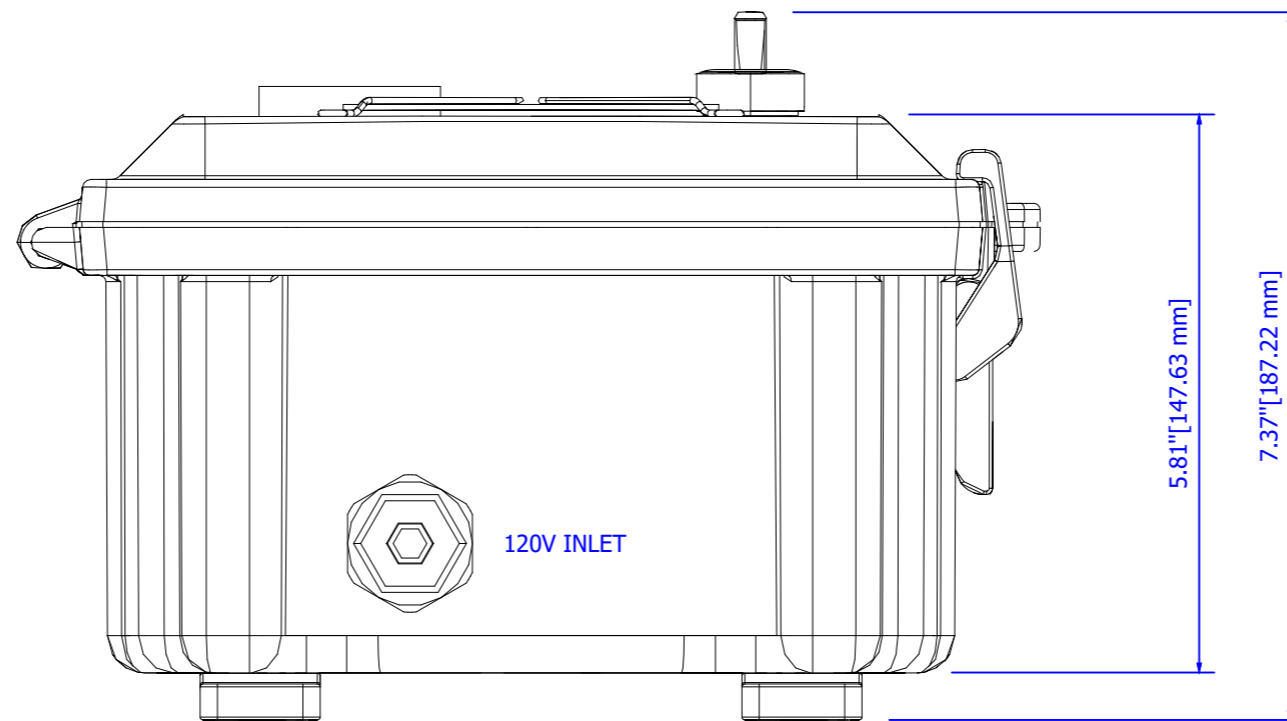
LEFT VIEW



FRONT VIEW



RIGHT VIEW



BOTTOM VIEW