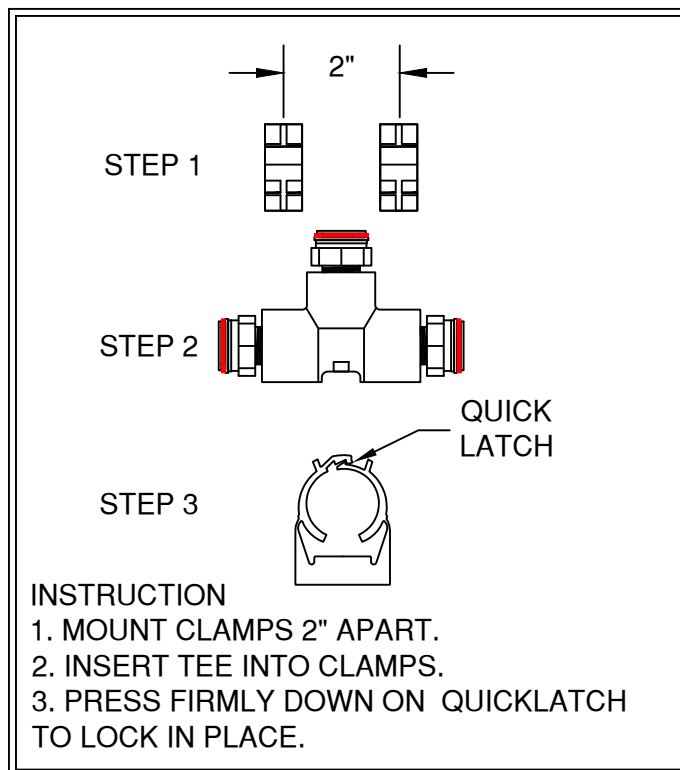
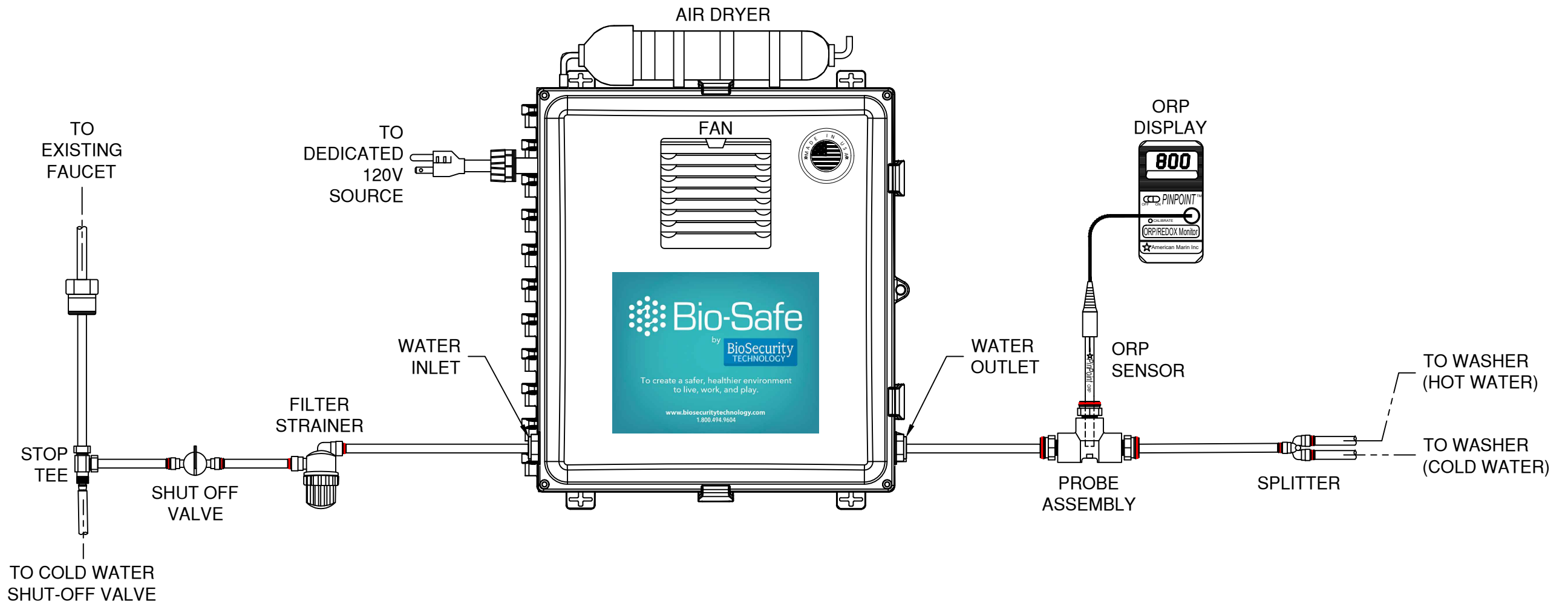


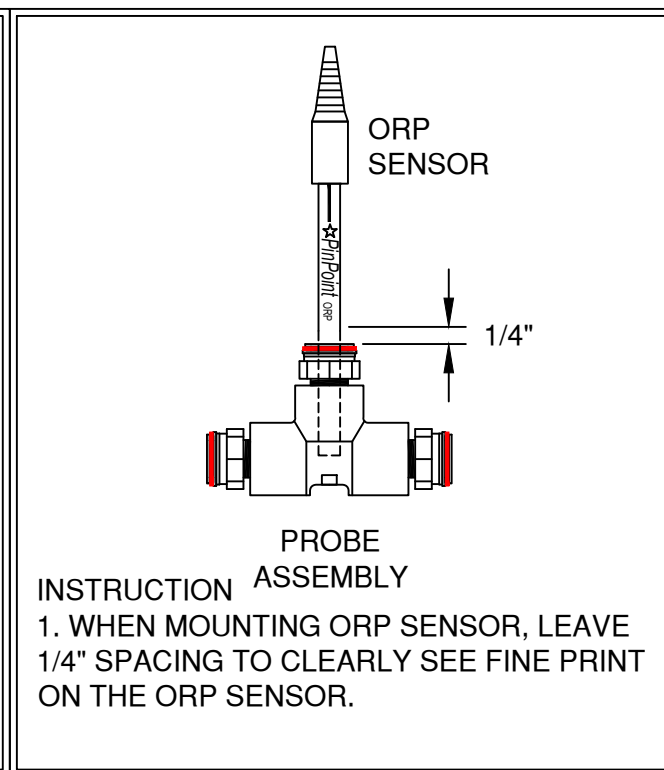


# WALL MOUNT UNIT 1.5 GPM - LAUNDRY

DRAWING INDEX		
DRAWING #	DRAWING DESCRIPTION	REVISION
CUE2-01	COVER PAGE	1
CUE2-02	INSTALLATION	1
CUE2-03	DIMENSIONS	1



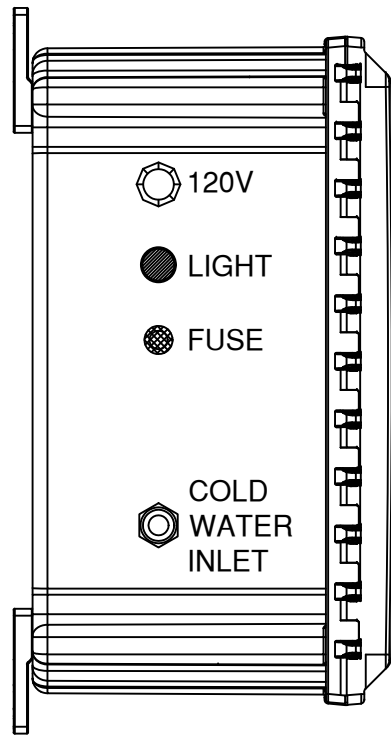
DETAIL A  
PROBE ASSEMBLY



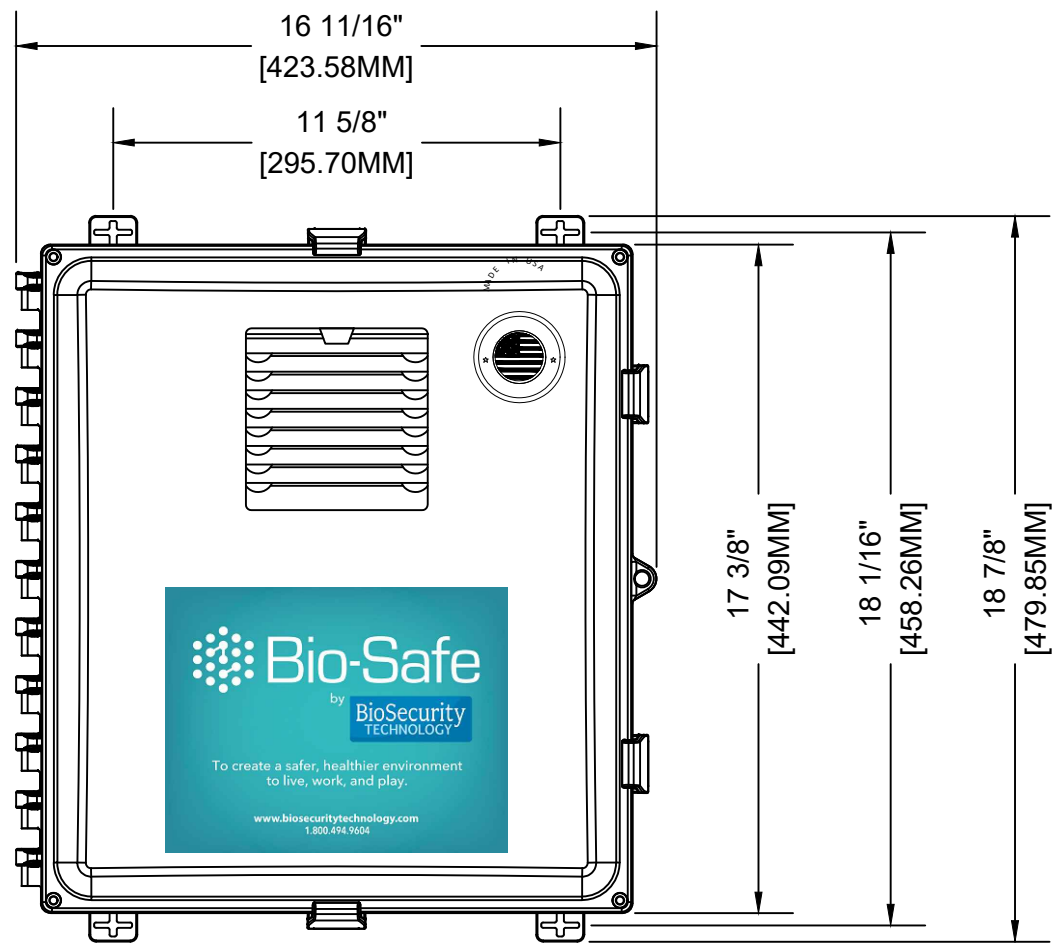
DETAIL B  
ORP SENSOR

### BIO-SAFE INSTALLATION WASHER

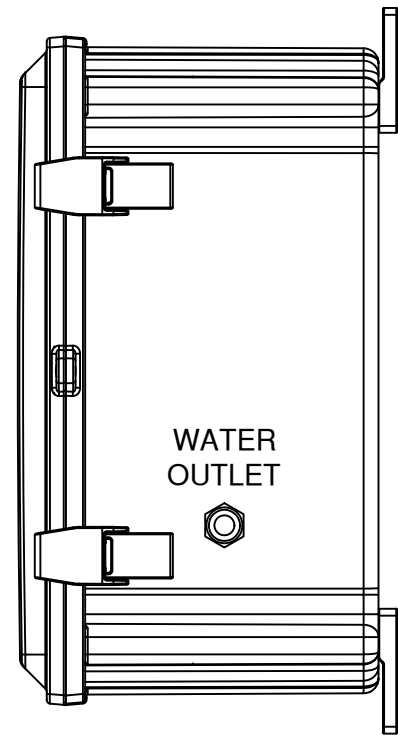
1. LOCATE THE COLD-WATER SUPPLY AND TURN IT OFF.
2. REMOVE WATER SUPPLY TO SINK FROM VALVE.
3. INSTALL STOP TEE AND RE-CONNECT TO SUPPLY LINE THAT LEADS TO SINK. CHECK THAT VALVE IS OFF ON STOP-TEE. NOW YOU CAN TURN WATER BACK ON TO SINK.
4. MOUNT BIO-SAFE UNIT REASONABLY CLOSE TO SUPPLY LINE CONNECTION.
5. MUST BE DEDICATED 120V POWER OUTLET.
6. INSTALL TUBING FROM SHUT OFF VALVE TO FILTER STRAINER. *NOTE DIRECTION OF STRAINER.*
7. INSTALL TUBING FROM FILTER STRAINER TO WATER INLET ON BIO-SAFE UNIT.
8. INSTALL TUBING FROM WATER OUTLET ON BIO-SAFE UNIT TO PROBE ASSEMBLY. SEE "DETAIL A"
9. INSTALL ORP SENSOR TO TEE FITTING ON PROBE ASSEMBLY. SEE "DETAIL B"
10. INSTALL TUBING FROM PROBE SENSOR TO SPLITTER.
11. INSTALL TUBING FROM SPLITTER TO WASHER: HOT AND COLD WATER
12. ALLOW WATER TO RUN TO CLEAR AIR OUT OF LINES. CHECK FOR LEAKS.
13. PLUG POWER CORD FROM BIO-SAFE UNIT INTO 120V POWER SUPPLY.
14. OPEN FAUCET COMPLETELY.
15. TURN ORP METER ON TO GET READING.
16. INSTALL RED SAFETY CLIPS ON ALL PUSH FITTINGS.



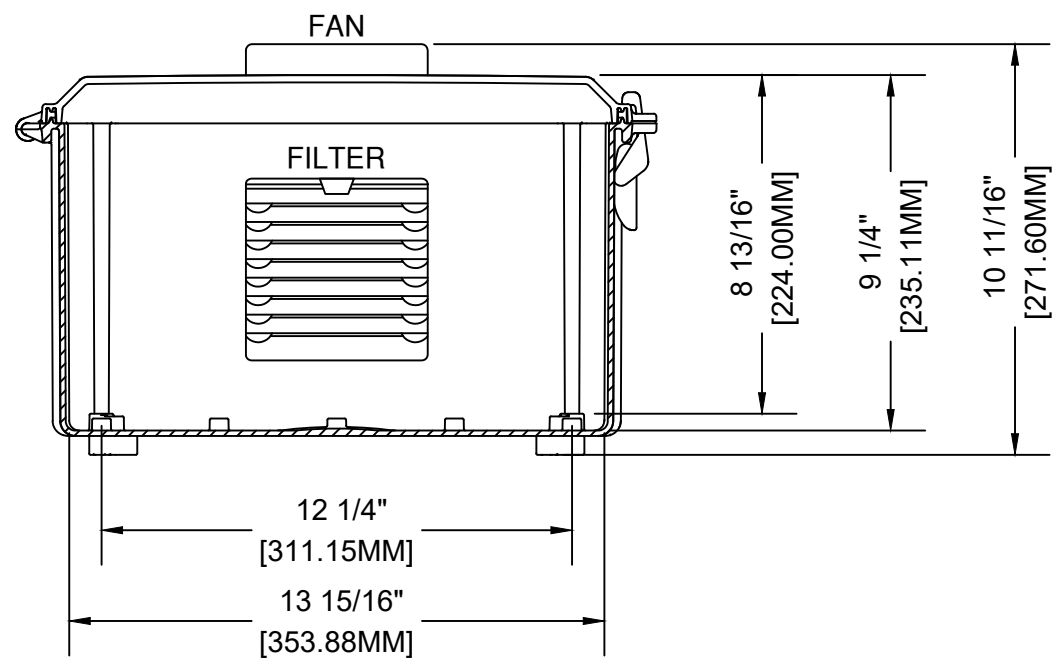
LEFT VIEW



FRONT VIEW



RIGHT VIEW



BOTTOM VIEW